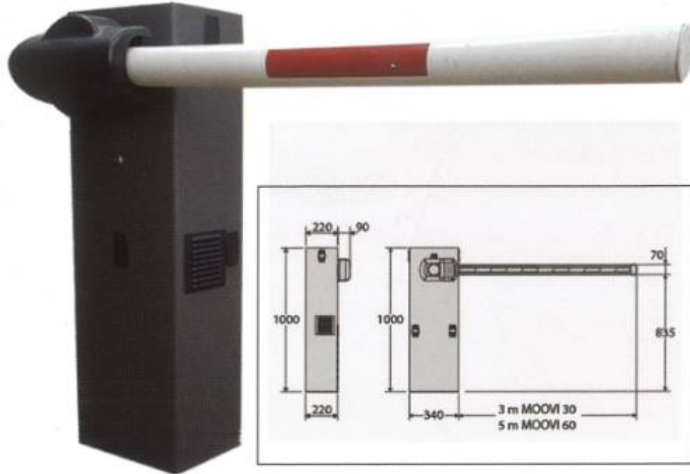


sp.ประเทศไทย  
094-265-3695

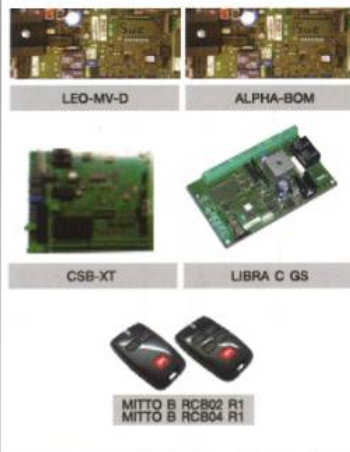
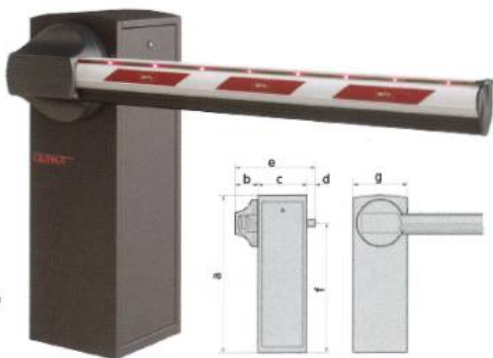


**BARRIER**  
**AUTOMATION** **PRODUCT OF ITALY**

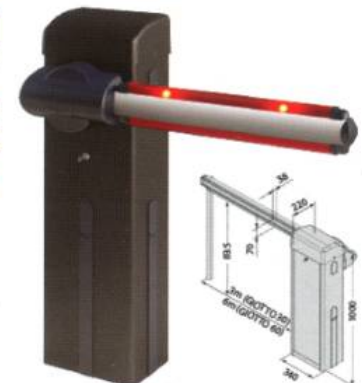
## MOOVI 30 / 30S / 60



## MAXIMA ULTRA



## GIOTTO



TECHNICAL SPECIFICATIONS	MAXIMA ULTRA 35 SM	GIOTTO 30S BT	MOOVI 30	MOOVI 30S	MOOVI 60
Useful passage / ความยาวสูงสุดของแขน	1.7 - 5 m		3 m		6 m
Control unit / ชุดควบคุม	CSB-XT	LIBRA C GS	ALPHA BOM	LEO MV D	ALPHA BOM
Motor power supply / แรงดันไฟฟ้าใช้งาน	230 V / 3PHASE INDUCTION	24 V		230 V	
Absorbed power / กำลังวัตต์ใช้งาน	370 W	300 W		300 W	
Max torque / แรงบิดสูงสุด	INVERTER	280 Nm	85 Nm	72 Nm	250 Nm
Opening / Closing time @90 / เวลาเปิด-ปิด	0.7-3.0 sec	2.5 sec	4.0 sec	1.5 sec	8.0 sec
Slowdown / ระบบลดความเร็ว	opening and closing	adjustable		adjustable	
Frequency of use / ความถี่ในการใช้งาน	20,000 (up to 3m), 5,000 (up to 5m) Op/gg	very intensive	semi-intensive	intensive	semi-intensive
Type of limit switch / ชนิดของลิมิตสวิตช์	Encoder		electric, incorp.and adjustable		
Environmental conditions / ช่วงอุณหภูมิใช้งาน	-30°C to 60°C	-20°C to 55°C		-20°C to 50°C	
Protection rating / ระดับชั้นการป้องกัน		IP54		IP24	

# Bluetooth Long Range Reader TRF-801

## Bluetooth Long-range Reader System

- \* Optical excitation, CDMA, sleep wake up, wireless communications, CPU automatically identify other high-tech crystal;
- \* High Reading speed ,card can be read in 10-40 km per hour without vehicle stop;
- \* Long range reading distance adjustable 3-20 m;
- \* With good directivity, optical excitation range can be up to 120 degrees;
- \* Advanced CDMA communication technology is used and there is no interference between adjacent lane;
- \* Don't need to stop or open the window to read the card;

## TFR-801 Bluetooth long-range reader

### Features :

- \* Operating modes: optical excitation positioning, CDMA communications
- \* Read direction can be adjusted in six direction: up and down, left and right, depression angle and elevation angle ;
- \* Anti-collision multi-card deal
- \* Wiegand 26 and RS485 output

### Technical parameters

- \* Power Supply: DC 12V/3A
- \* Frequency: 433MHZ
- \* Infrared Frequency: 38KHZ
- \* Reading distance: 1-20 meters maximum distance
- \* Response Time: 0.1 seconds
- \* Reading speed: 0.5 seconds
- \* Reader time interval 0.5-0.8 seconds
- \* Operating temperature: -30 °C ~ +70 °C

## Long-range Bluetooth card

### Features :

- \* Reading distance: 3 to 25 meters
- \* In hand or vehicle-mounted auto reading,dual reading mode.Access control cards can be affixed to the back of the card for“One-Card System”.
- \* Passwords, license plates and other coded information can stored.
- \* Battery: CR3240 button cell
- \* Battery life: 50 million (handheld)
- \* Work mode: read-write in real time (with CDMA module)

