

Automatic Sliding Door Systems



F-150W

Instruction Book

Contents

1. Technical Function-----	P01
2. The Sectional Drawing of the track case-----	P02
3. The Sectional Drawing of Machine's height-----	P02
4. Installation Procedure-----	P03
5. Install motor assembly-----	P04
6. Install the controller-----	P04
7. Install the rear wheel set-----	P05
8. Install the hanging wheel set-----	P05
9. Install belt clip-----	P06
10. The assembly diagram-----	P06
11. Signal connection-----	P07
12. Test and adjustment-----	P08
13. Broken checking-----	P09
14. Troubleshooting-----	P10
15. Appendix:Optional accessories connection-----	P12

Technical Function

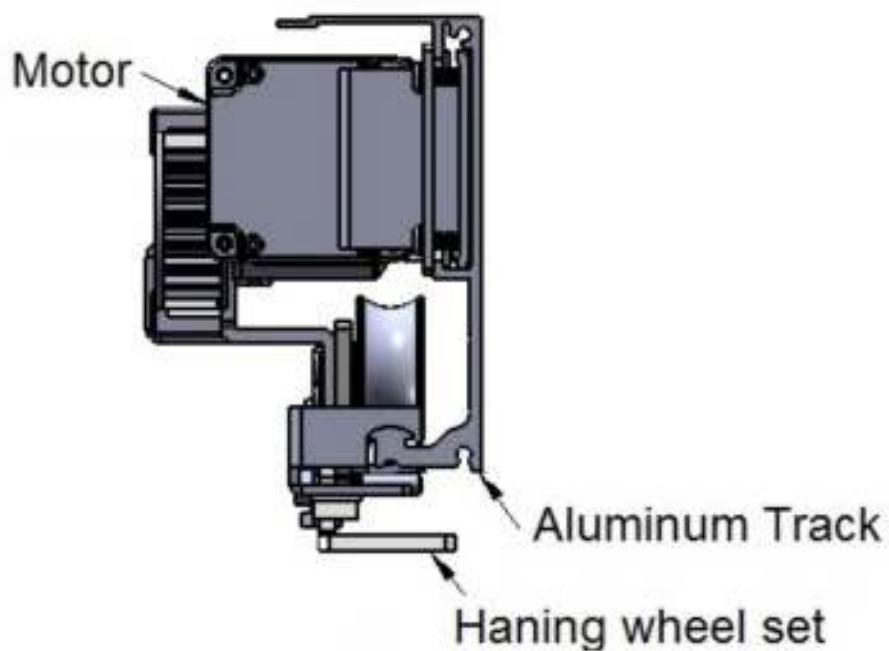
1、 Safety

- 1).Thank you for choosing and using this product, any questions please contact us in the use of the process, we will work on the safe use of the product of continuous improvement and perfection
- 2).Installation of the products must be completed by the engineering and technical personnel with a qualification.
- 3).Do not install the product in a power on state, no peripheral devices connected in a power on state.
- 4).Recommended to install safety light and other protective equipment, avoid the door in the open or hurt to people closing process.
- 5).This product has high pressure, non factory authorized, do not open the casing inspection, adjustment. To open the cover will also affect the product after sale service.

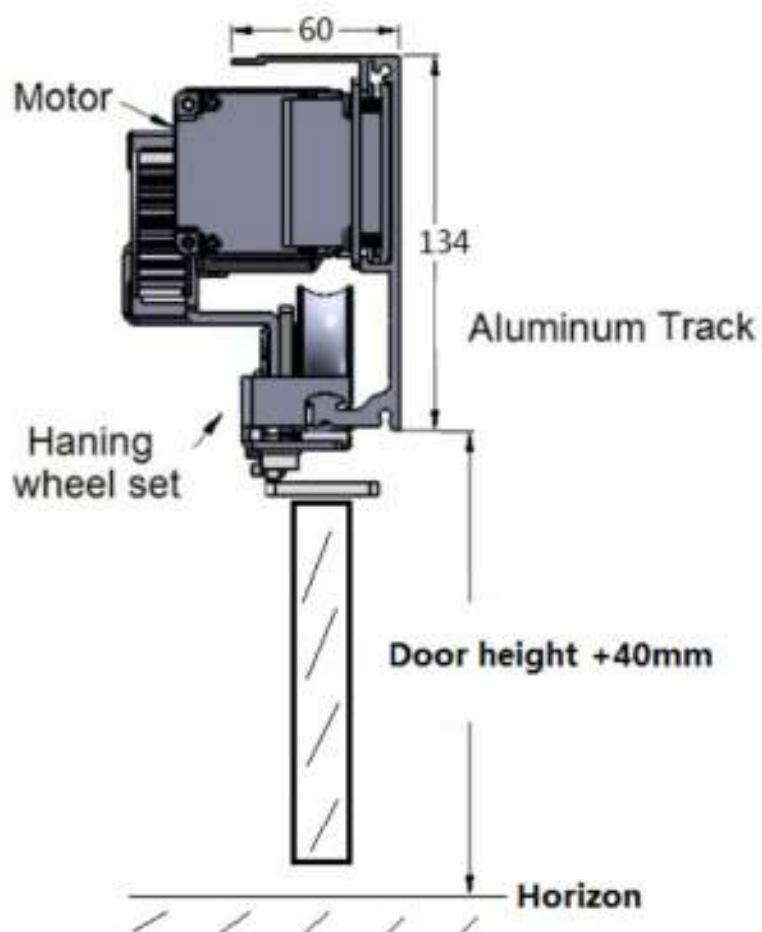
2、 Specifications

Type	Single side sliding	Double sides sliding
Model	F-150W	F-150S
Door Weight	160KG*1 (door)	150KG*2 (door)
Door width	DW=700-1500 (mm)	DW=650-1200 (mm)
Install way	surface install	
Motor	DC24V 75 W Brushless Motor	
Controller	Micro-controller	
Power	75 W	
Voltage	Within AC90-250V	
Noise	Max 60 decibels	
Open Time	Adjusted 0 sec to 15 sec	
Running Parts	S8MRack Belt 150 S8M	
Open Range	Full/Half open (half open can adjust the distance)	
Open Speed	550mm/Sec(Adjustment)	750mm/Sec(Adjustment)
Close Speed	550mm/Sec(Adjustment)	750mm/Sec(Adjustment)

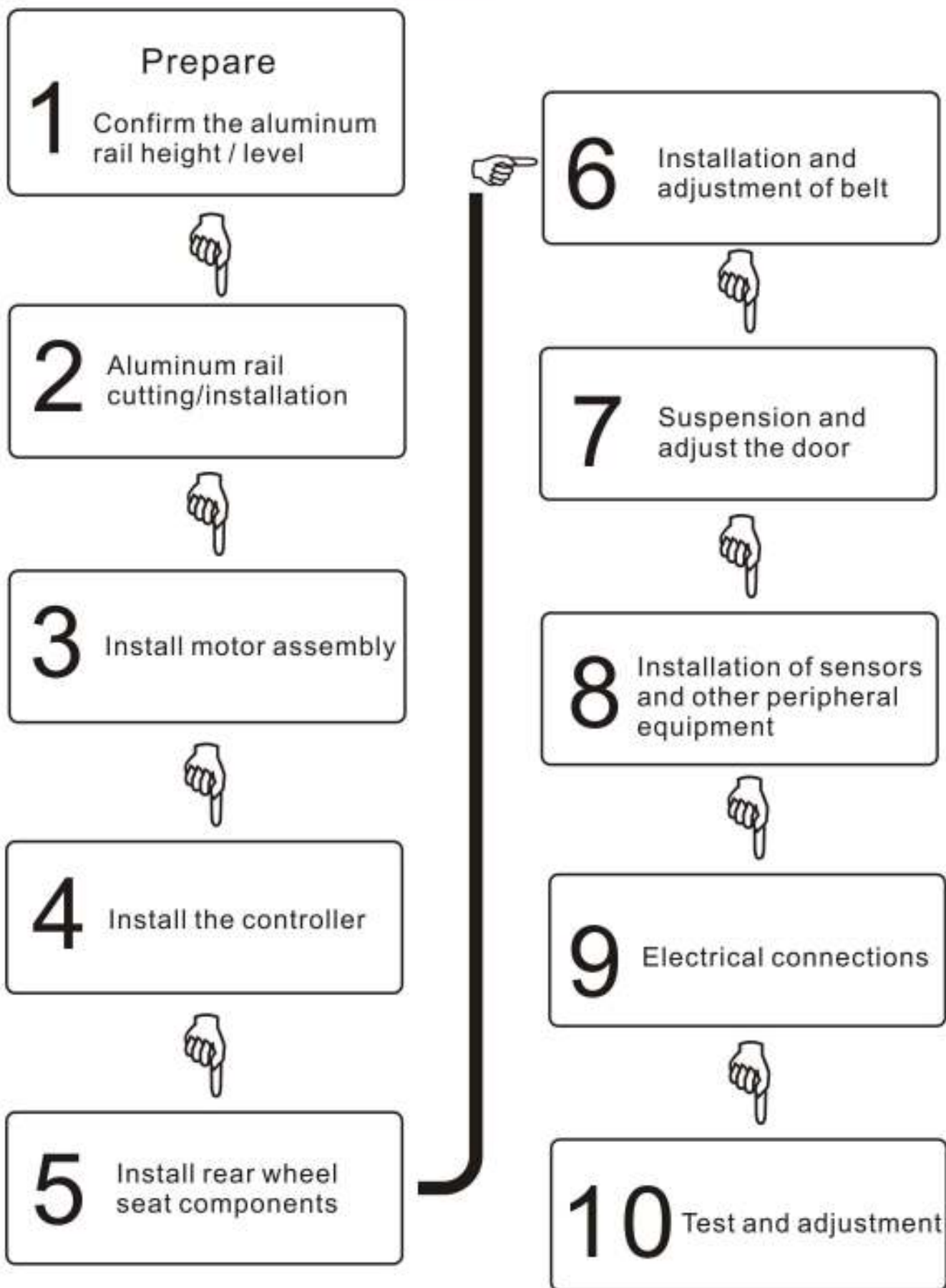
The Sectional Drawing of the track case



The Sectional Drawing of Machine's height

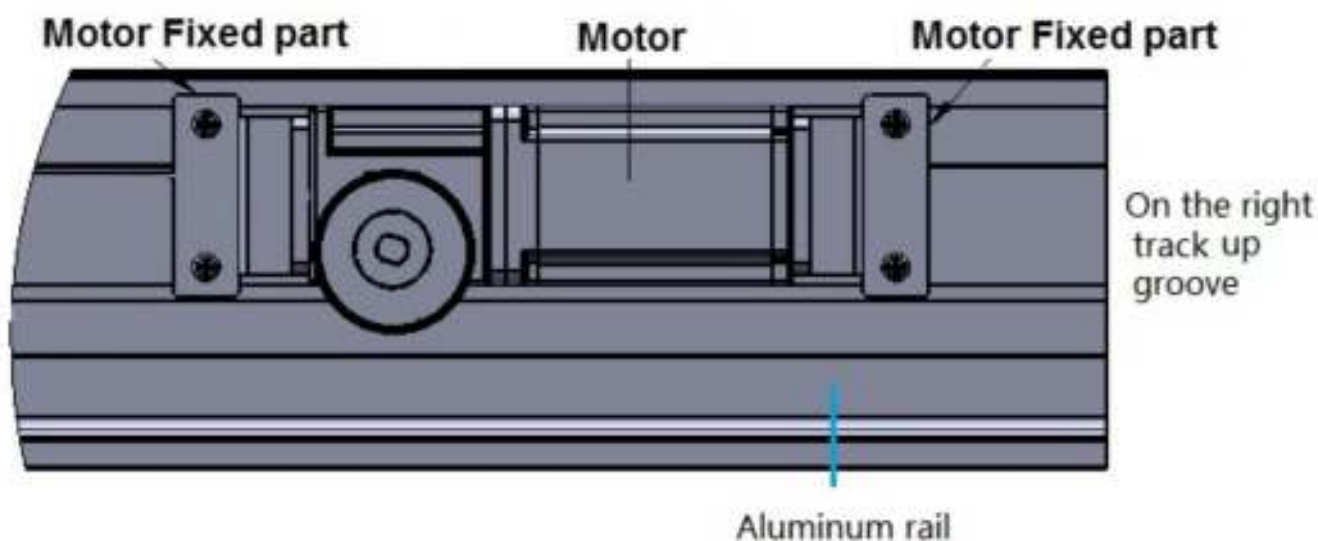


Installation Procedure



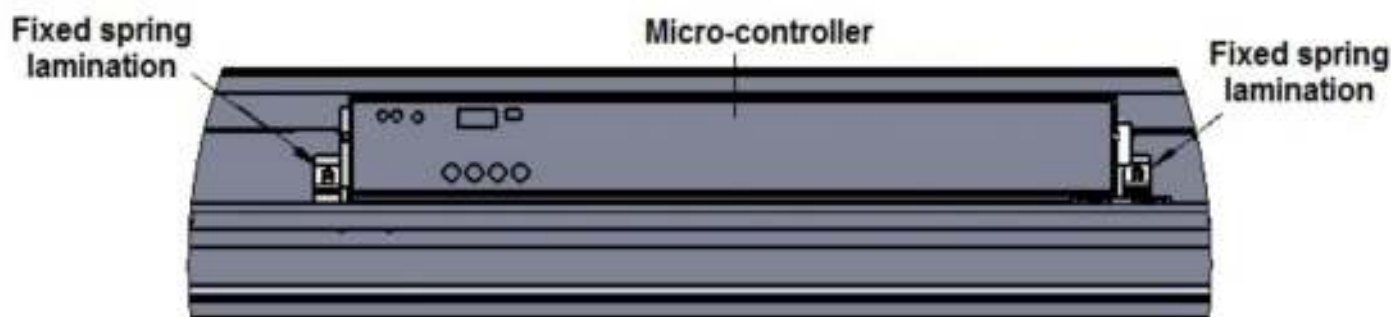
Note: the aluminum rail up groove on the left side the tail wheel seat, right are sequentially installed UPS [optional], a controller, a motor assembly.

Install motor assembly



Please send the motor shockproof fixed seat bottom hook groove hook into the right track groove of aluminium profiles, locked and fixed seat screw

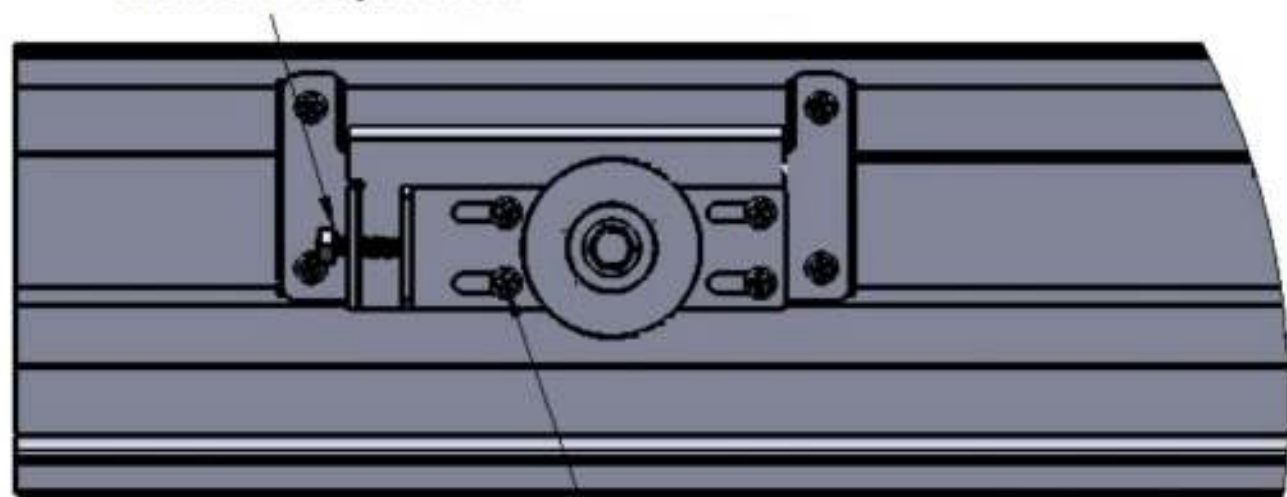
Install the controller



The controller hook slot into the aluminum rail groove, and then screw the fixed shrapnel locking

Install the rear wheel set

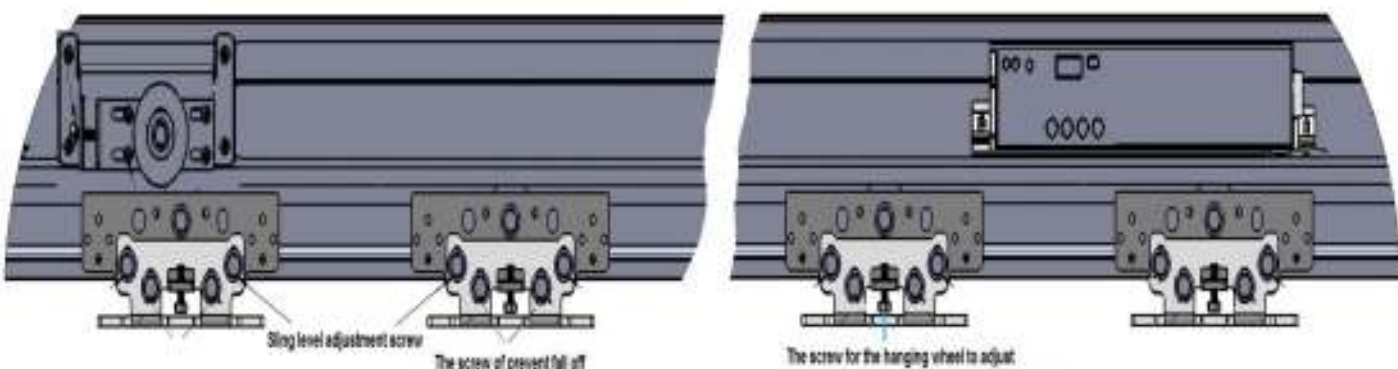
Rack belt for adjust screw



Fixed Screw

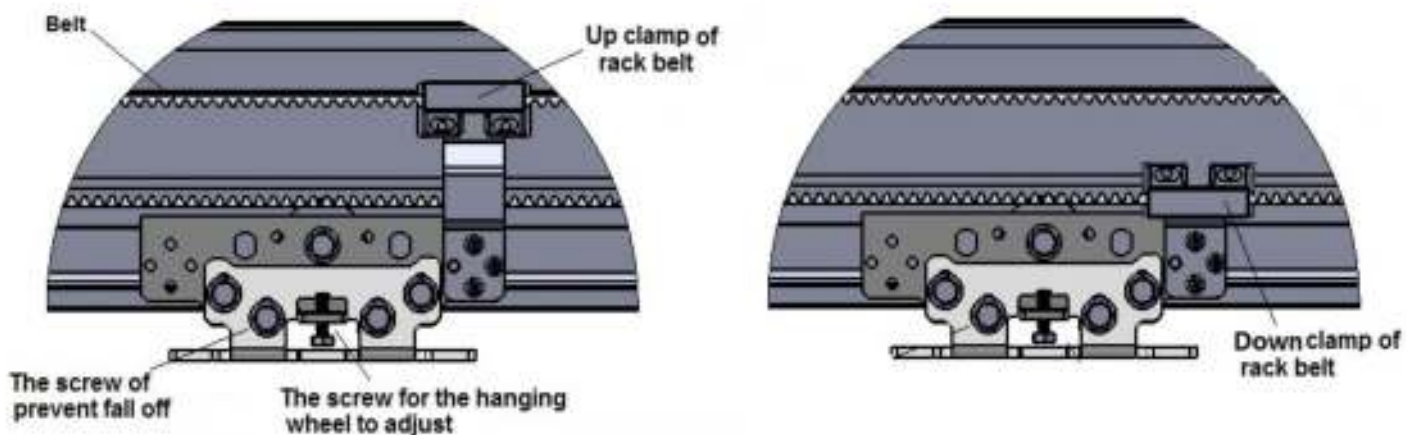
The tightness of the belt by the belt tightness adjustment screw to adjust, after adjustment, the fixed seat screw must be tightened.

Install the hanging wheel set



A door, the installation of two hanging wheel assembly; the two door, the installation of four hanging wheel assembly. After installation, Locking blocking screws.

Install belt clip

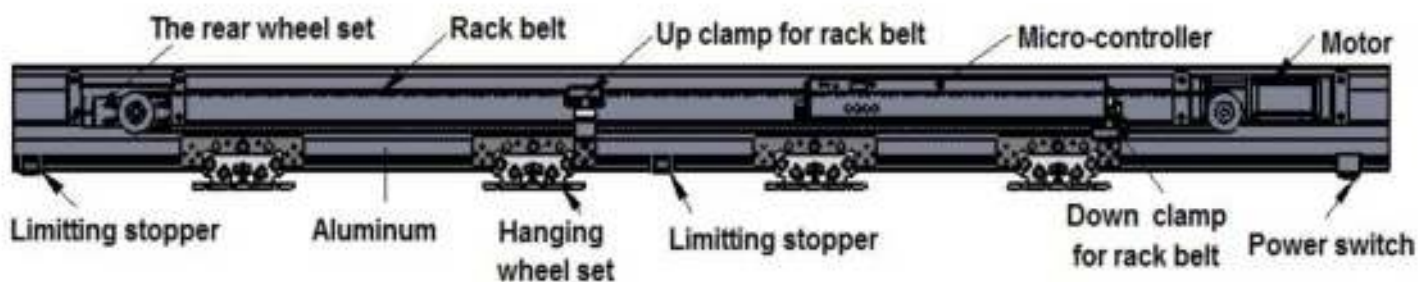


Belt the shortest length calculation :

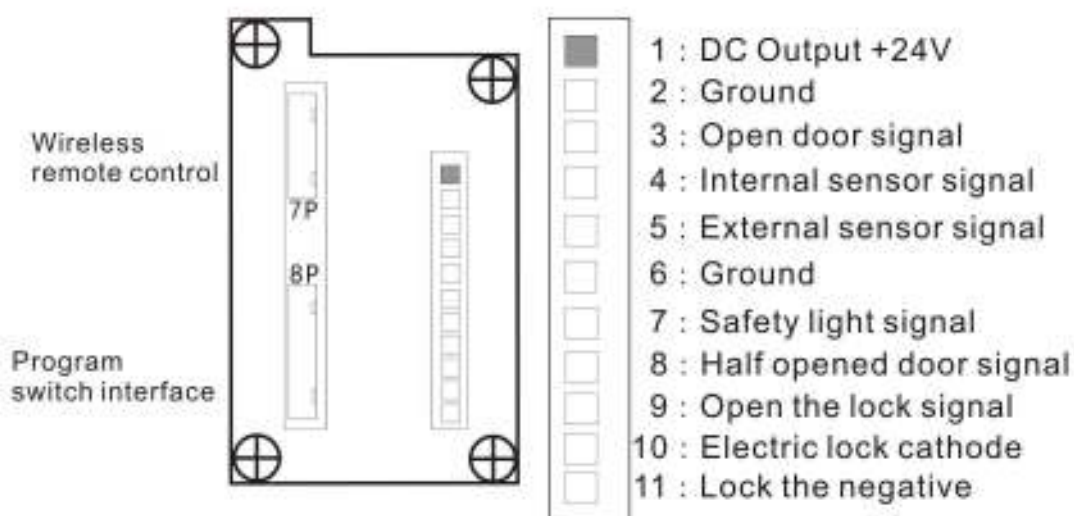
1) 、 Single door belt length = door width*2+700mm ; 2) 、 Double door belt length = door width*6+200mm.

The left hanging wheel is arranged on the belt clip; on the right side of the hanging wheel is arranged under the belt clip; install belt; locking belt, a lower clamping Bracket screws.

The assembly diagram

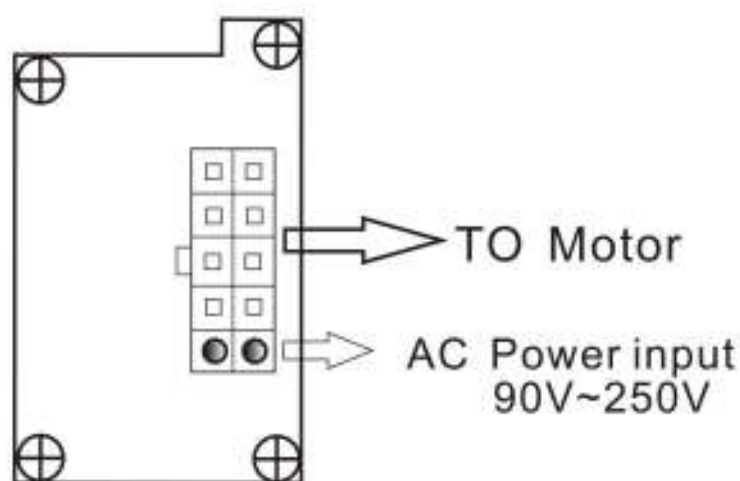


Signal connection

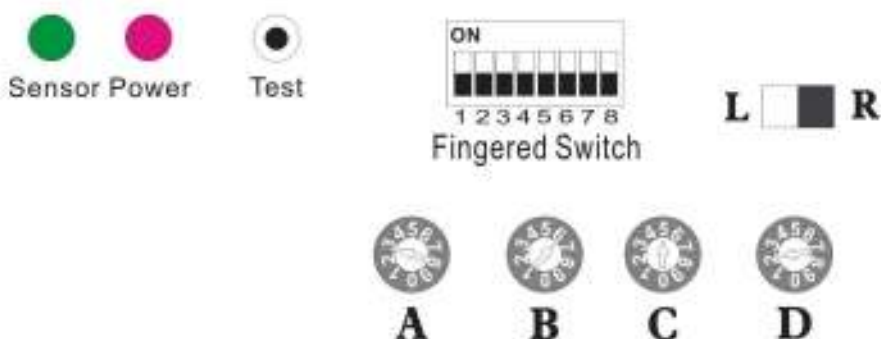


Remarks :

- 1.The electrical connector No. 6 and No. 10 DC 13V output for readers use.
- 2.Without the remote control and electric plug locks, No. 6 and No. 9.
- 3.Mutual control interface in the controller, when in need of multi door cascade interaction control, please contact us



Test and adjustment



Power-The power indicator light, light that is powered

Sensor-Signal lamp, light that a signal input.

L/R-Open the door direction switch left or right, need to power off and restart.

Test- Test button



<p>1 Open the slow distance setting</p> <p>Shot (6-8cm) Long (10-12cm)</p>	<p>2 Close the slow distance setting</p> <p>Shot (6-8cm) Long (10-12cm)</p>	<p>3 4 Half open distance setting</p> <p>Shot (20-31cm) Long (46-65cm)</p>
<p>5 6 Hold open time setting</p> <p>Shot (2-5s) Long (8-13s)</p>	<p>7 The 2nd sensor settings</p> <p>OFF ON</p>	<p>8 The mutual control settings</p> <p>OFF ON</p>

The adjusting knob function description



A Brake power

1-9

The door opened or closed, the brake force can be adjusted freely. The door is light, the required braking force is small; And relatively large (transfer to 0-2, when the door is the weight is less than 50KG).



B Opening speed regulation

1-9

When the door is closed, can adjust the door opening speed, the greater the number faster. By small and large, successive adjustments.



C Closing speed regulation

1-9

When the door is closed, can adjust the door closing speed, the greater the number faster. By small and large, successive adjustments.

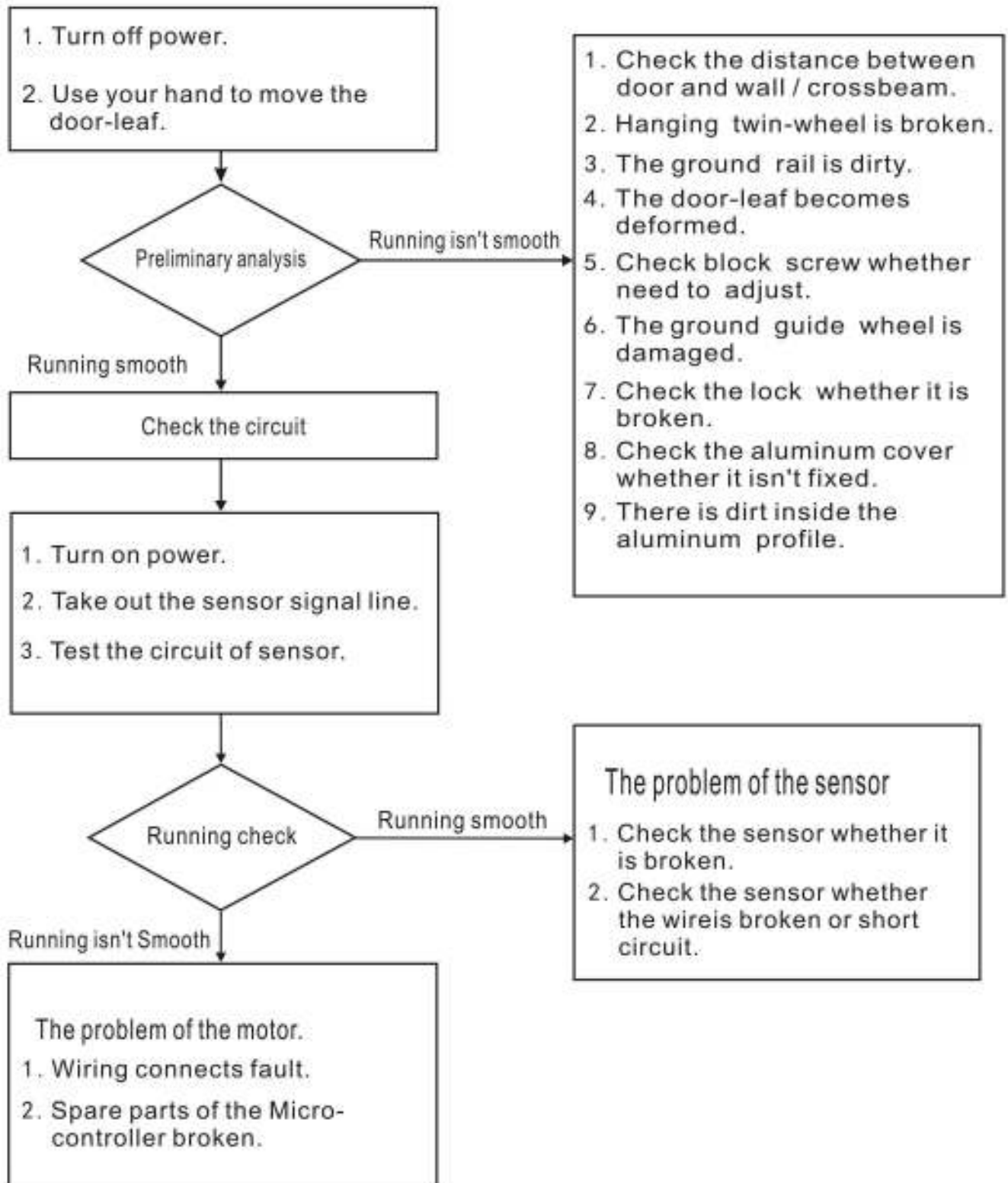


D Slow speed regulation

1-9

When the door is closed, can adjust the slow speed, the greater the number faster. By small and large, successive adjustment.

Broken checking



Troubleshooting

1. Door can't be opened or closed.

PROBLEMS	REASONABLE	CHECK	HOW TO SOLVE
Door can't be moved.	1. No power.	Broken circuit.	Check the broken circuit position.
		The power switch is not opened. The power switch is not opened.	Open the power switch.
	2. The door is locked.	Door is locked and no movement action.	Open the door lock.
	3. The sensor is broken	Signal light is working.	Check the Micro-controller.
Signal light is out of working.		Check the circuit of sensor or change a new one sensor.	
SPEED	1. Speed is too slow.	Check the speed of Micro-controller.	Adjust the speed of Open/Closed door.
	2. Door runs into the obstructor, then cause the door moving slow.	Installation problem or dirty.	Reinstall or clean the aluminum Profile.
	3. Door is difficult to move.	Turn off the power. Use hand to move the Door, besides, check the Ground Guide Rail whether it is dirty.	Clean the Ground Guide Rail.
		Check the hanging twin-wheel whether it is broken.	Change a new one.
		Check the door bolt in the door bottom whether it is loosen.	Fix the door bolt.
		Check whether the Ground Wheel is broken.	Change a new Ground wheel.
DOOR CAN'T FULL OPEN.	In the Half-Open way.	Check the knob/switch.	Turn on to full open.
DOOR CAN'T CLOSE.	1. In the full-open way.	The sensor keeps working.	Check wiring or change a new sensor.
	2. The Door opens suddenly while it is moving to close.	The sensor probably is installed with something wrong.	Adjust the sensor or change a new one.

Troubleshooting

2. Door-Leaf isn't smooth in operating.

Cause 1: hanging twin-wheel is not at vertical position.



How to solve: Readjust the hanging twin-wheel.

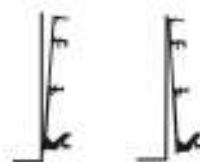
Cause 2: Door touches ground rail or Ground rail is dirty.



How to solve:

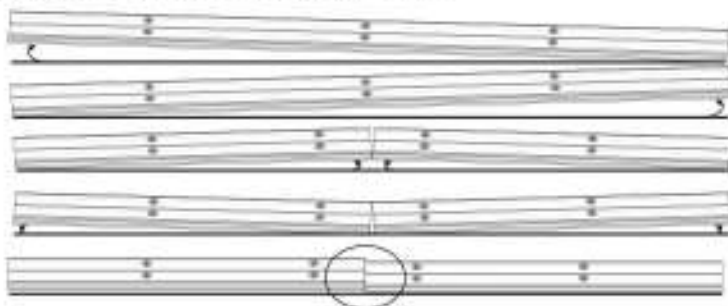
1. Readjust the distance between Door and Ground Rail.
2. Clean up the Ground Rail.

Cause 3: aluminum profile is not vertical.



How to solve: Readjust the vertical position of the aluminum profile.

Cause 4
aluminum profile is not at vertical position.



How to solve: Readjust the level position of the aluminum profile.

3. The Door-Leaf sends out abnormal noise in operating.

Cause 1: The screw of the hanging twin-wheel is loose.



How to solve: refasten the screw of hanging twin-wheel.

Cause 2: hanging twin-wheel is broken.



How to solve: Replace a new one hanging twin-wheel.

Cause 3: hanging twin-wheel is dirty.



How to solve: Clean the hanging twin-wheel.

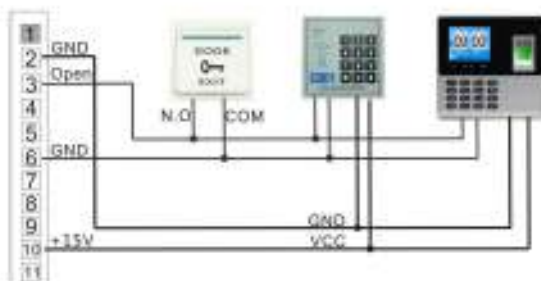
Cause 4: aluminum profile is dirty.



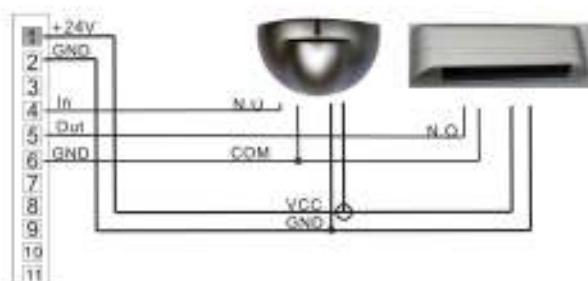
How to solve: Clean the aluminum profile.

Appendix: Optional accessories connection

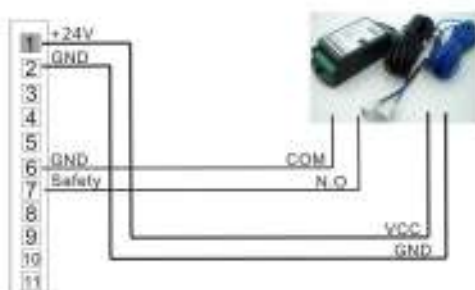
1. Hand pressure switch, credit card machine, fingerprint machine wiring



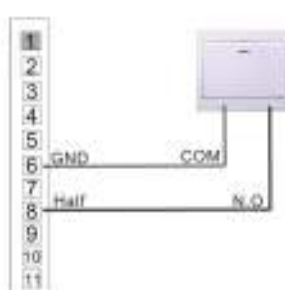
2. Microwave, infrared sensor wiring



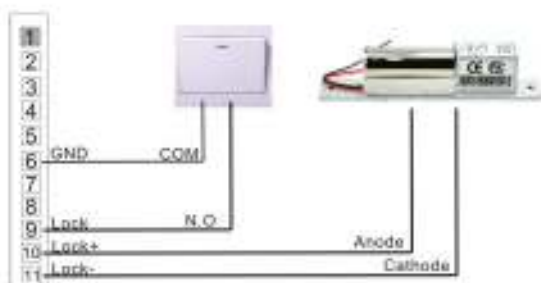
3. Safety sensor wiring



4. Half open switch wiring



5. Electric lock connection



6. Wireless remote connection



7. Five program switch connection



8. Backup power supply connection

